

MIRO 12.4 110V-2U INPUT RELAY

IN: 110 VAC/DC - OUT: 250 VAC/DC / 6 A

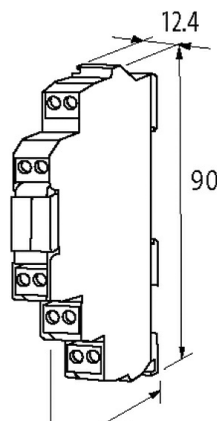
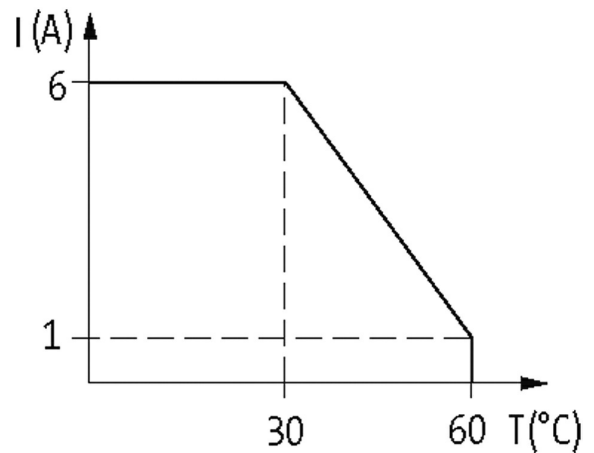
2 NO/NC contacts

6 A

110 V AC/DC

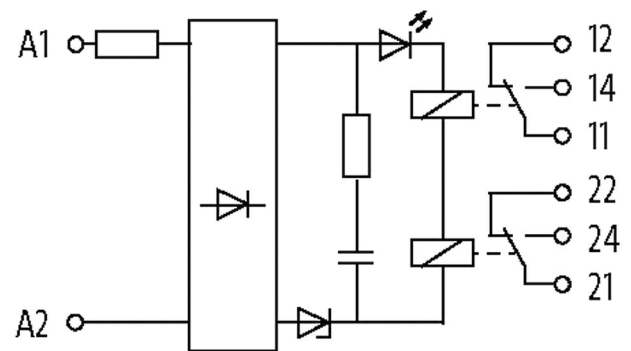
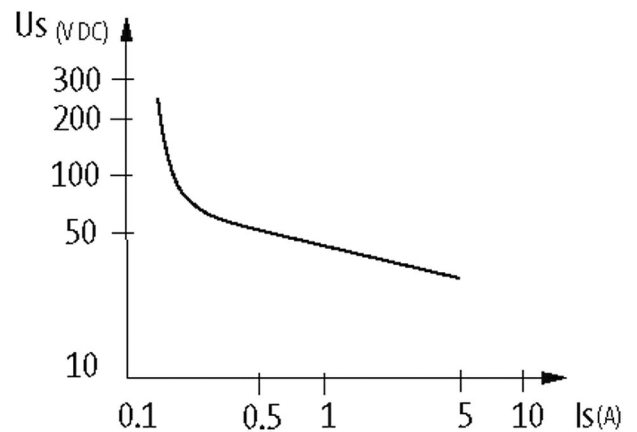
Screw terminals

When the max. switching voltage/current is exceeded the gold plating is destroyed. The relay will then take on the properties of an output type.

Illustration

stay connected

70



Product may differ from Image

Approvals



Input

| | |
|------------------------------|---------------------------------------|
| Connection voltage - current | 110 V AC/DC (95...121 V AC/DC) - 7 mA |
| LED display | LED (green) |

Output

| | |
|---------------------------------------|--------------------|
| Switching voltage | max. 250 V AC/DC |
| Switching current per output | max. 6 A |
| Switching current per output (Signal) | max. 20 mA |
| Min. load current | 1 mA (12 V DC) |
| Power rating (voltage dependent) | max. 1500 VA/120 W |
| Switching frequency | max. 10 Hz |
| Contact material | Ag Sn O2 hv |
| Energize/release/contact bounce time | 10/15/1.5 ms |

Utilization category

| | |
|-------|---|
| AC-12 | 6 A (24/110/230 V AC) |
| AC-15 | 3 A (24/110/230 V AC) |
| DC-13 | 1 A (24 V DC); 0.2 A (110 V DC); 0.1 A (230 V DC) |

General data

| | |
|--------------------|--|
| Mech./ elect. life | 20 000 000 switching cycles/load dependent |
|--------------------|--|

| | |
|------------------------|------------------------------------|
| Test isolation voltage | 4 kV; safe separation (EN 60947-1) |
|------------------------|------------------------------------|

| | |
|-----------------|-------------------------------|
| Mounting method | DIN-rail mountable (EN 60715) |
|-----------------|-------------------------------|

| | |
|-------------------|--------------|
| Temperature range | -20...+55 °C |
|-------------------|--------------|

| | |
|------------------|---------------|
| Dimensions H×W×D | 90×12.4×70 mm |
|------------------|---------------|

Commercial data

| | |
|-------------------|----|
| country of origin | CZ |
|-------------------|----|

| | |
|-----------------------|----------|
| customs tariff number | 85364900 |
|-----------------------|----------|

| | |
|-----|---------------|
| EAN | 4048879027052 |
|-----|---------------|

| | |
|--------|----------|
| eClass | 27371001 |
|--------|----------|

| | |
|----------------|---|
| Packaging unit | 1 |
|----------------|---|